

12.0.1 Mechanic, Mounting

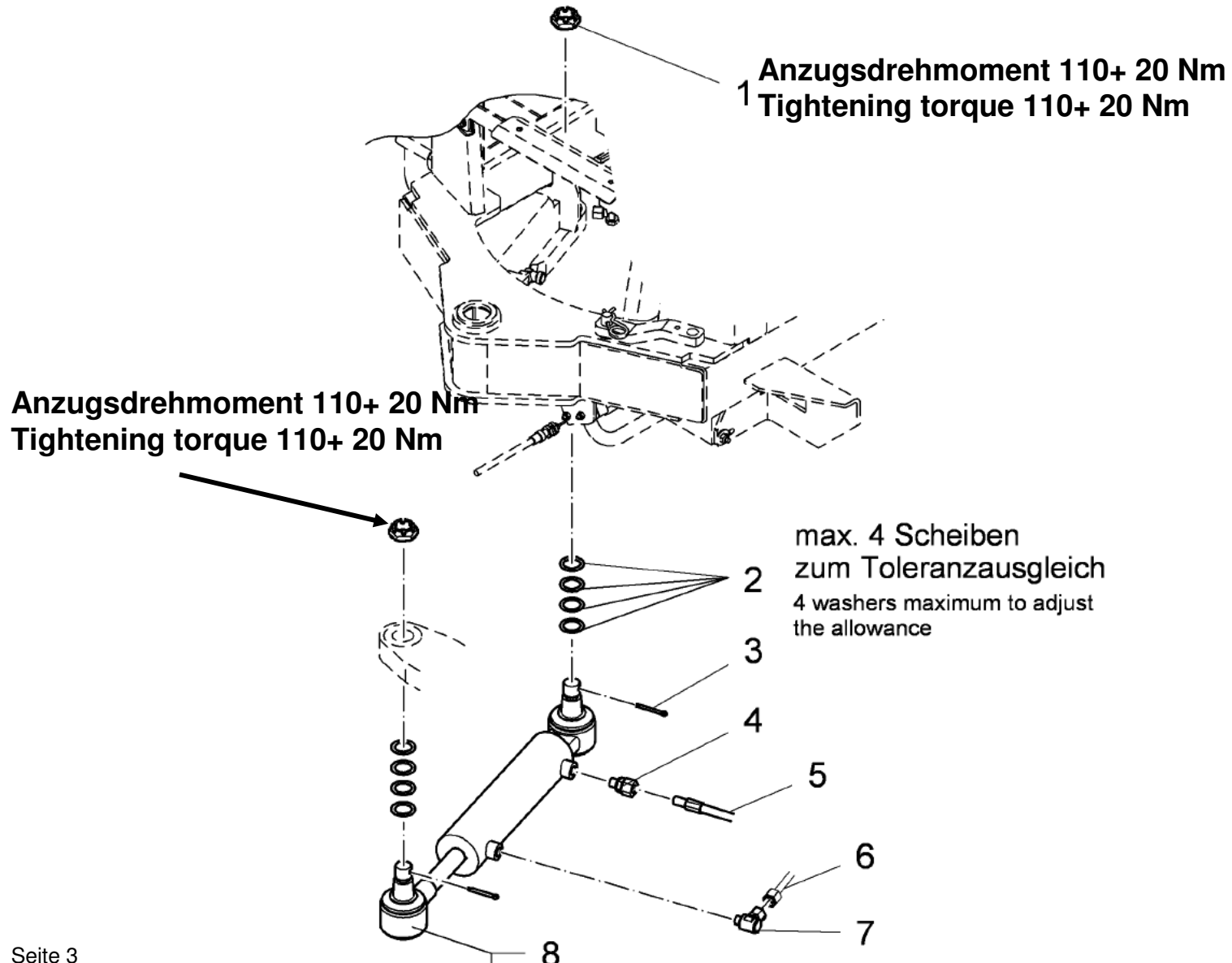


Inhalt/ Contens	Seite/ page
Torque steering cylinder	3
Torque hydraulic motor (drive motor)	4
Tightening Torques	5
Notes	6- 7

12.0.1 Mechanic, Mounting



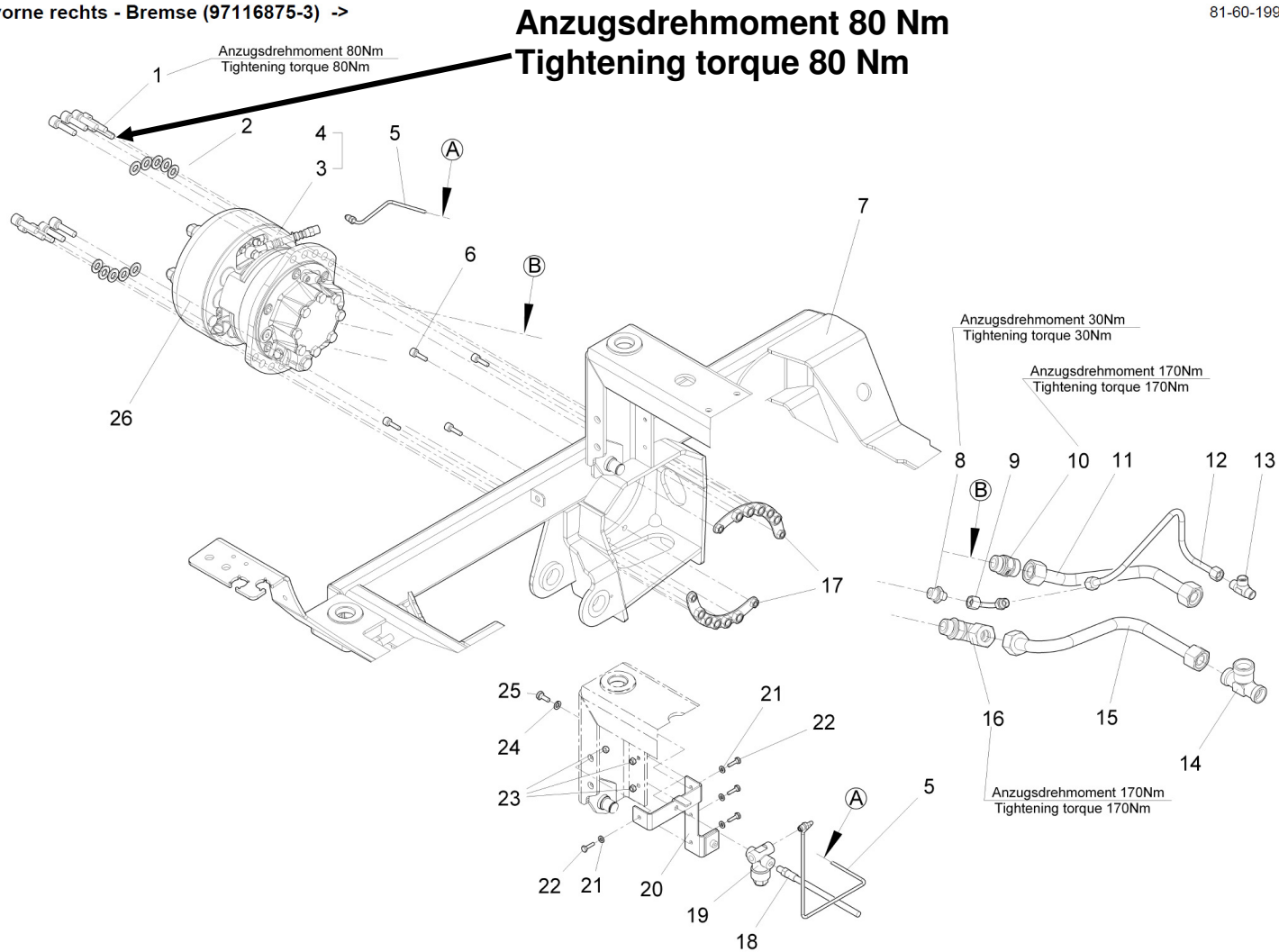
12.0.1 Mechanic, Mounting



12.0.1 Mechanic, Mounting

Radmotor vorne rechts - Bremse (97116875-3) ->

81-60-1993 aktueller Stand





12.0.1 Mechanic, Mounting

Tightening Torques

Screw dimensions	Tightening torques in Nm ¹		
	8.8	10.9	12.9
M4	3	4	5
M5	5,5	8	10
M6	10	14	16
M8	23	34	40
M10	46	67	79
M12	79	115	135
M14	125	185	220
M16	195	290	340
M18	280	400	470
M20	395	560	660
M22	540	760	890
M24	680	970	1150
M27	1000	1450	1700
M30	1350	1950	2300

1. These values are valid for screws with untreated, non-lubricated surfaces

12.0.1 Mechanic, Mounting



Notes

12.0.1 Mechanic, Mounting



Notes